

# **SCHEDULE OF RATES - 2026**

**IRRIGATION**

**NORTHERN PROVINCE**

**Office of the Deputy Chief Secretary**

**Engineering Services**

**Northern Province**

**Jaffna**

Published by  
Office of the Deputy Chief Secretary Engineering Services,  
Northern Provincial Council  
Provincial Council Complex,  
Kandy Road,  
Kaithady,  
Jaffna

## **1.PREFACE**

It is my great pleasure to release the Schedule of Rates – 2026 for Northern Province.

The objective of this publication is to enhance the transparency and consistency among the stakeholders of construction industry in Northern Province by publishing a compiled Schedule of Rates for the year 2026 comprising rates for works related to Buildings, Irrigation and Roads construction and rates for quality control laboratories for the Northern Province.

In this exercise it is intended to harmonize the rates to the extent possible with the contribution of three major technical provincial departments namely Buildings Department, Irrigation Department and Road Development Department by adopting similar approach in deciding certain basic norms.

I strongly believe that this publication would not only serve as a guideline for non-technical departments to compare their rates while preparing the estimates, but also would iron-out certain concerns with regard to difference in rates among the institutions for similar items. In addition, it would also help the contractors to verify the practicality of their rates to avoid quoting unduly low rates and struggling to meet the quality requirements during execution. Therefore, it is anticipated that this publication would contribute to create a win-win situation between contractors and implementing agencies in assuring quality and value for money and intern minimize the disputes.

I wish to express my appreciation and gratitude to Deputy Chief Secretary – Engineering Services, Provincial Directors of Buildings Department, Road Development Department, Irrigation Department and their subordinates who have timely contributed at different levels to make this publication as an effective tool for estimation for the construction industry in Northern Province.

Any suggestions and opinions are appreciated for further improvement and enrichment for the future publications.

**Thanuja Murugeson**  
Chief Secretary  
Northern Province



## **2.BACKGROUND**

In Northern Province there are three technical departments namely Buildings Department, Irrigation Department and Road Development Department entrusted with the task of implementing works related to their respective fields in accordance with generally accepted professional standards and practices and by observing sound management practices, and employing appropriate technology and safe and effective equipment, machinery, materials and methods.

One of the key activities of the departments is to prepare unit rates for works items in accordance with the specification of works, rate analysis and prevailing rates of machinery, materials and man power.

In order to do so Buildings Department adopts respective buildings related specifications published by the CIDA and rate analysis (Buildings Schedule Rates (BSR) of Provincial Buildings Department. Likewise, Irrigation Department adopts respective Irrigation related specifications published by the CIDA and rate analysis (Irrigation Schedule Rates (ISR) based on Data for Costing published by the Central Irrigation Department. Similarly, Road Development Department adopts respective Road related specification published by the CIDA and rate analysis (Highway Schedule Rates (HSR) published by the Road Development Authority.

Since it is found to be necessary to adopt respective rates prepared by each department for their activities in the context of employing appropriate technology and safe and effective equipment, machinery, materials and methods to suit their respective specifications, it is justifiable to have independent rates with acceptable variation in similar items.

Even though the departments are permitted to adopt their rates as explained above, it was strongly felt that similar approach is required in deciding certain basic norms. Hence it has been decided to involve all three technical departments to work together with the assistance of Deputy Chief Secretary – Engineering Service to harmonize the rates to the extent possible and publish a compiled Schedule of Rates comprising rates for Buildings related constructions, Irrigation related constructions, Road related construction and rates for quality control laboratories for the Northern Province.

This publication could be used as a guideline by other non-technical departments and contractors to compare their rates while preparing the estimates. But it is their responsibility to determine their rates in accordance with the proposed specification and the ground condition of the work site.

While the Provincial Departments of Buildings, Irrigation, Road Development, Engineering Services and Northern Provincial Council strives to make the information on this guidebook as timely and accurate as possible, the departments make no claims, promises, or guarantees about the accuracy, completeness, or adequacy of the contents of this guidebook, and expressly disclaims liability for errors and omissions in the contents of this guidebook.



### **3. THE COMMITTEE ENGAGED IN PREPARATION OF SCHEDULE OF RATES**

This guidebook, consisting of Building Schedule Rates, Highway Schedule Rates, Irrigation Schedule Rates and Material Testing of 2026 were prepared by the committee, comprising followings members, with the concurrence of Provincial Directors of Engineering Departments under the guidance of Deputy Chief Secretary Engineering Services, Northern Province.

#### **Committee Members**

1. Eng.C.Saseeharan - Additional Provincial Director (Department of Buildings, NP)
2. Eng.S.Vihirthan - Additional Provincial Director (Department of Irrigation, NP)
3. Eng K. Kowsikan - Chief Engineer (Department of Road Development, NP)
4. Eng.S.Paraneetharan - Engineer (Department of Local Government, NP)
5. Eng.S.Sulaxana - Engineer (Department of Health, NP)
6. Eng.S.Saranja - School Works Engineer, (Department of Education, NP)



**GENERAL DATA**  
**DEPARTMENT OF BUILDINGS,**  
**IRRIGATION AND ROAD DEVELOPMENT**



## 4 GENERAL DATA

### 4.1. OVERHEAD AND PROFIT FACTOR FOR WORKS

- Overhead and Profit (OH & P) factor is not included in the rates given in the schedule.
- Overhead and Profit factor shall be added to the rates given in this guideline by the entities that intent to use this guideline.
- Profit factor shall generally be 10% and the Over Head shall be in accordance with the recommendation of CIDA given by the Chairman CIDA's letter dated 03.10.2018.
- Provincial Departments shall adopt the Overhead & Profit in the following manner.

Profit	10 %
General Overhead	6 %
General Overhead & Profit	16%

- The site overhead shall be included in the Preliminaries as per the recommendation of CIDA given by the Chairman CIDA's letter dated 03.10.2018.
- For the CBO contracts, VAT shall be added for cement and reinforcement with the material cost given in the schedule before the addition of 10% of profit.
- If the departments are responsible for supervision of work, taking measurement and bill preparation for CBO contracts, the 6% General Overhead shall be reduced.
- Cost for loading, unloading, material wastage and transport is included in the rates.
- For Irrigation & Agriculture roads such as earthen, gravel & concrete, ISR shall be used. For other type of Irrigation & Agriculture Road, HSR shall be used.
- Round the final abstract rate (with Overhead and Profit) to zero decimal.
- The basic rates do not include any sea transport expenses required to transport the material to islands, in such case price fixed for sea transport by the District Price Fixing Committee of Jaffna District shall be taken to account.
- Rates include all taxes other than VAT. VAT to be paid separately.

## 4.2. REINFORCEMENT: WEIGHTS, SPECIFIED SPACING'S AND UNIT WEIGHTS

Weights of metric (millimeter) bars in kilograms per square meter

Size (mm)	Weight per m (kg)	Length per M.Ton (m)	Spacing of Bars in Millimeters									
			75	100	125	150	175	200	225	250	275	300
6	0.222	4505	2.96	2.220	1.776	1.480	1.269	1.11	0.987	0.888	0.807	0.74
8	0.395	2532	5.267	3.950	3.16	2.633	2.257	1.975	1.756	1.58	1.436	1.317
10	0.616	1623	8.213	6.160	4.928	4.107	3.52	3.08	2.738	2.464	2.24	2.053
12	0.888	1126	11.84	8.880	7.104	5.920	5.074	4.44	3.947	3.552	3.229	2.96
16	1.579	633	21.05	15.790	12.630	10.530	9.023	7.895	7.018	6.316	5.742	5.263
20	2.466	406	32.88	24.660	19.730	16.440	14.09	12.33	10.96	9.864	8.967	8.22
25	3.854	259	51.39	38.540	30.830	25.690	22.02	19.27	17.13	15.42	14.01	12.85
32	6.313	158		63.130	50.500	42.090	36.07	31.57	28.06	25.25	22.96	21.04
40	9.864	101			78.910	65.760	56.37	49.32	43.84	39.46	35.87	32.88

Basic weight = 0.00785 kg/mm<sup>2</sup> per meter

Weight per meter = 0.006165  $\Theta^2$  kg

Weight per mm<sup>2</sup> at spacing s (mm) = 6.165  $\Theta^2$  /skg

$\Theta$  = diameter of bar in millimeters

## 4.3. BASIC LABOUR RATES ADOPTED

Category	Unit	Basic Rate (Rs)				
		Jaffna	Kilinochchi	Mullaitivu	Mannar	Vavuniya
Skilled Grade I	Day (8hrs)	3,800.00	3,800.00	3,800.00	3,800.00	3,800.00
Skilled Grade II	Day (8hrs)	3,400.00	3,400.00	3,500.00	3,400.00	3,400.00
Semi-Skilled	Day (8hrs)	3,200.00	2,900.00	3,200.00	3,100.00	2,900.00
Unskilled	Day (8hrs)	3,000.00	2,800.00	3,000.00	2,900.00	2,800.00

**RATES FOR  
IRRIGATION WORKS**



**6. RATES FOR IRRIGATION WORKS**

**6.1. GENERAL SPECIFICATIONS FOR IRRIGATION WORKS**

- Specification for Irrigation & Land Drainage – Published on January 2017  
CIDA Publication No: CIDA/SP/102
- Specification for Building Works (Volume I) – [3rd Edition (Revised) – July 2004]  
ICTAD Publication No: SCA/4/1
- Specification for Electrical & Mechanical Works - [2nd Edition (Revised) – August 2000]  
ICTAD Publication No: SCA/8
- Data for Costing of civil works Published by Irrigation Department third revision 1st January 1980.
- Rates included all taxes other than VAT. VAT to be paid separately.

## Irrigation Works Rate 2026

<b>6.2 NORMS FOR CLEARING AND EARTH WORK</b>			
<b>No</b>	<b>Description</b>	<b>Unit</b>	<b>Qty</b>
	<b>CLEARING - MANUAL</b>		
1	Clearing and grubbing light jungle clearing	L.Day / Ha	74
2	Shrub & thorny jungle clearing	L.Day / Ha	49
3	Secondary growth jungle clearing	L.Day / Ha	37
4	Weeding	L.Day / m <sup>2</sup>	0.004
5	Stripping top soil	L.Day / m <sup>3</sup>	0.785
6	Scarifying top soil	L.Day / m <sup>2</sup>	0.02
	<b>CLEARING - MACHINERY</b>		
7	Clearing and grubbing light jungle	Ha / Day	1.619
	Burning to asses	L.Day / Ha	2
8	Shrub & thorny jungle clearing	Ha / Day	2.429
	Burning to asses	L.Day / Ha	2
9	Medium jungle clearing	Ha / Day	1.214
	Burning to asses	L.Day / Ha	2
10	Common jungle clearing	Ha / Day	1.416
	Burning to asses	L.Day / Ha	2
11	Heavy jungle clearing	Ha / Day	1.335
	Burning to asses	L.Day / Ha	2
12	<b>Stripping top soil along the upstream slope, downstream slope and top of the bund to a thickness of 0.075 meters in order to receive new earth by machinery and spoils to be disposed outside the reservation as directed</b>		
	Stripping by Dozer	m <sup>3</sup> /day	1,471.6
	Loading by Back-hoe	m <sup>3</sup> /day	1,279.16
	<b>EARTH WORK - MANUAL</b>		
13	<b>Earth Excavation in foundation and back filling / spoil to waste / dump including watering and compaction</b>	L.Day / m <sup>3</sup>	1.04
14	<b>Borrowing earth from identified borrow areas including transport and placing in tank bund to the design profile in 225 mm layers including watering and compacting</b>		
	Borrow Earth cut and lift 5' haul 200'	L.Day / m <sup>3</sup>	0.883
	Placing and compaction in tank bund including picking roots and spreading	L.Day / m <sup>3</sup>	0.213
	Watering on tank bund for compaction	L.Day / m <sup>3</sup>	0.01
	Less haul 200ft (0.196 L.day per 100 ft)	L.Day / m <sup>3</sup>	0.392
15	<b>Earth Excavation from borrow and forming canal bund including watering and compacting</b>		
	Borrow Earth cut and lift 5' haul 200'	L.Day / m <sup>3</sup>	0.883
	Placing and compaction in canal bund including picking roots and spreading	L.Day / m <sup>3</sup>	0.213
	Watering on canal bund for compaction	L.Day / m <sup>3</sup>	0.01
	Less haul 200ft (0.196 L.day per 100 ft)	L.Day / m <sup>3</sup>	0.392

**Irrigation Works Rate 2026**

<b>No</b>	<b>Description</b>	<b>Unit</b>	<b>Qty</b>
<b>16</b>	<b>Earth Cutting in canal and forming canal bund including watering and compacting</b>		
	Borrow Earth cut and lift 5' haul 200'	L.Day / m <sup>3</sup>	0.883
	Placing and compaction in canal bund	L.Day / m <sup>3</sup>	0.213
	Watering on canal bund for compaction	L.Day / m <sup>3</sup>	0.01
	Less haul 100ft	L.Day / m <sup>3</sup>	0.196
<b>17</b>	<b>Desilting in canal and spoil to waste as directed</b>		
	Desilt manual	m <sup>3</sup> /Day	1.415
	<b>EARTH WORK - MACHINERY</b>		
<b>18</b>	<b>Borrowing earth from identified borrow areas including transport, benching, placing in layers average thickness not more than 225mm as earth filling in existing bund embankment and picking roots, watering as directed, compacting by vibrating compactor</b>		
	Borrow Earth - Dozing by Dozer	m <sup>3</sup> /Day	633.92
	Loading by Back-hoe	m <sup>3</sup> /Day	289.23
	Spreading by dozer - 100 ft	m <sup>3</sup> /Day	3,090.36
	Picking roots by manual	L.Day / m <sup>3</sup>	0.024
	Watering on tank bund for compaction by Bowser	m <sup>3</sup> /Day	142
	Compaction in tank bund by Sheep Foot roller	m <sup>3</sup> /Day	1,881.4
<b>19</b>	<b>Earth Excavation from borrow and forming Canal bund including Compaction by Machinery and shaping by manual</b>		
	Borrow Earth by Excavator	m <sup>3</sup> /Day	289.23
	Shaping by manual	m <sup>3</sup> /Day	100
	Compacting by Back - hoe	m <sup>3</sup> /Day	300
<b>20</b>	<b>Earth Cutting in canal or canal reservation and forming Canal bund including Compaction by Machinery and shaping by manual</b>		
	Earth cutting by Back - hoe	m <sup>3</sup> /Day	289.23
	Shaping by manual	m <sup>3</sup> /Day	100
	Compacting by Back - hoe	m <sup>3</sup> /Day	300
<b>21</b>	<b>Earth cutting in canal and spoil to waste as directed</b>		
	Earth cutting by Excavator	m <sup>3</sup> /Day	289.23
<b>22</b>	<b>Earth deduction along spill tail canal and spoil to deposit</b>		
	Earth - Dozing by Dozer	m <sup>3</sup> /Day	633.92
	Loading by Back-hoe	m <sup>3</sup> /Day	289.23
<b>23</b>	<b>Earth deduction along spill tail canal and level / heap</b>		
	Earth - Dozing by Dozer	m <sup>3</sup> /Day	633.92

**Irrigation Works Rate 2026**

<b>6.3 NORMS FOR CLEARING AND EARTH WORK</b>			
<b>No</b>	<b>Description</b>	<b>Unit</b>	<b>Qty</b>
	<b>CLEARING - MANUAL</b>		
1	Clearing and grubbing light jungle clearing	L.Day / Ha	74
2	Shrub & thorny jungle clearing	L.Day / Ha	49
3	Secondary growth jungle clearing	L.Day / Ha	37
4	Weeding	L.Day / m <sup>2</sup>	0.004
5	Stripping top soil	L.Day / m <sup>3</sup>	0.785
6	Scarifying top soil	L.Day / m <sup>2</sup>	0.02
	<b>CLEARING - MACHINERY</b>		
7	Clearing and grubbing light jungle	Ha / Day	1.619
	Burning to asses	L.Day / Ha	2
8	Shrub & thorny jungle clearing	Ha / Day	2.429
	Burning to asses	L.Day / Ha	2
9	Medium jungle clearing	Ha / Day	1.214
	Burning to asses	L.Day / Ha	2
10	Common jungle clearing	Ha / Day	1.416
	Burning to asses	L.Day / Ha	2
11	Heavy jungle clearing	Ha / Day	1.335
	Burning to asses	L.Day / Ha	2
12	<b>Stripping top soil along the upstream slope, downstream slope and top of the bund to a thickness of 0.075 meters in order to receive new earth by machinery and spoils to be disposed outside the reservation as directed</b>		
	Stripping by Dozer	m <sup>3</sup> /day	1,471.6
	Loading by Back-hoe	m <sup>3</sup> /day	1,279.16
	<b>EARTH WORK - MANUAL</b>		
13	<b>Earth Excavation in foundation and back filling / spoil to waste / dump including watering and compaction</b>	L.Day / m <sup>3</sup>	1.04
14	<b>Borrowing earth from identified borrow areas including transport and placing in tank bund to the design profile in 225 mm layers including watering and compacting</b>		
	Borrow Earth cut and lift 5' haul 200'	L.Day / m <sup>3</sup>	0.883
	Placing and compaction in tank bund including picking roots and spreading	L.Day / m <sup>3</sup>	0.213
	Watering on tank bund for compaction	L.Day / m <sup>3</sup>	0.01
	Less haul 200ft (0.196 L.day per 100 ft)	L.Day / m <sup>3</sup>	0.392
15	<b>Earth Excavation from borrow and forming canal bund including watering and compacting</b>		
	Borrow Earth cut and lift 5' haul 200'	L.Day / m <sup>3</sup>	0.883
	Placing and compaction in canal bund including picking roots and spreading	L.Day / m <sup>3</sup>	0.213
	Watering on canal bund for compaction	L.Day / m <sup>3</sup>	0.01
	Less haul 200ft (0.196 L.day per 100 ft)	L.Day / m <sup>3</sup>	0.392

**Irrigation Works Rate 2026**

<b>No</b>	<b>Description</b>	<b>Unit</b>	<b>Qty</b>
<b>16</b>	<b>Earth Cutting in canal and forming canal bund including watering and compacting</b>		
	Borrow Earth cut and lift 5' haul 200'	L.Day / m <sup>3</sup>	0.883
	Placing and compaction in canal bund	L.Day / m <sup>3</sup>	0.213
	Watering on canal bund for compaction	L.Day / m <sup>3</sup>	0.01
	Less haul 100ft	L.Day / m <sup>3</sup>	0.196
<b>17</b>	<b>Desilting in canal and spoil to waste as directed</b>		
	Desilt manual	m <sup>3</sup> /Day	1.415
	<b>EARTH WORK - MACHINERY</b>		
<b>18</b>	<b>Borrowing earth from identified borrow areas including transport, benching, placing in layers average thickness not more than 225mm as earth filling in existing bund embankment and picking roots, watering as directed, compacting by vibrating compactor</b>		
	Borrow Earth - Dozing by Dozer	m <sup>3</sup> /Day	633.92
	Loading by Back-hoe	m <sup>3</sup> /Day	289.23
	Spreading by dozer - 100 ft	m <sup>3</sup> /Day	3,090.36
	Picking roots by manual	L.Day / m <sup>3</sup>	0.024
	Watering on tank bund for compaction by Bowser	m <sup>3</sup> /Day	142
	Compaction in tank bund by Sheep Foot roller	m <sup>3</sup> /Day	1,881.4
<b>19</b>	<b>Earth Excavation from borrow and forming Canal bund including Compaction by Machinery and shaping by manual</b>		
	Borrow Earth by Excavator	m <sup>3</sup> /Day	289.23
	Shaping by manual	m <sup>3</sup> /Day	100
	Compacting by Back - hoe	m <sup>3</sup> /Day	300
<b>20</b>	<b>Earth Cutting in canal or canal reservation and forming Canal bund including Compaction by Machinery and shaping by manual</b>		
	Earth cutting by Back - hoe	m <sup>3</sup> /Day	289.23
	Shaping by manual	m <sup>3</sup> /Day	100
	Compacting by Back - hoe	m <sup>3</sup> /Day	300
<b>21</b>	<b>Earth cutting in canal and spoil to waste as directed</b>		
	Earth cutting by Excavator	m <sup>3</sup> /Day	289.23
<b>22</b>	<b>Earth deduction along spill tail canal and spoil to deposit</b>		
	Earth - Dozing by Dozer	m <sup>3</sup> /Day	633.92
	Loading by Back-hoe	m <sup>3</sup> /Day	289.23
<b>23</b>	<b>Earth deduction along spill tail canal and level / heap</b>		
	Earth - Dozing by Dozer	m <sup>3</sup> /Day	633.92

**Irrigation Works Rate 2026**

No	Description	Unit	Qty
<b>24</b>	<b>Earth Excavation from borrow and forming canal bund by manual Transport by tractor (Earth cutting by machinery)</b>		
	Earth cutting by Excavator	m <sup>3</sup> /Day	289.23
	Placing and compaction in tank bund by manual	L.Day / m <sup>3</sup>	0.213
	Watering on tank bund for compaction by manual	L.Day / m <sup>3</sup>	0.01
<b>25</b>	<b>Cut open the bund and Spoil to waste by machinery</b>		
	Cut open by Excavator	m <sup>3</sup> /Day	289.23
<b>26</b>	<b>Cut open the bund by Machinery and filling by manual</b>		
	Cut open by Excavator	m <sup>3</sup> /Day	289.23
	Refilling haul manual 100'	L.Day / m <sup>3</sup>	0.196
	Placing and compaction in tank bund manual	L.Day / m <sup>3</sup>	0.213
	Watering on tank bund for compaction manual	L.Day / m <sup>3</sup>	0.01
<b>27</b>	<b>Cut open the bund and refilling including watering and compaction by machinery</b>		
	Cut open by Excavator	m <sup>3</sup> /Day	289.23
	Refilling by Back-hoe	m <sup>3</sup> /Day	904
	Spreading manual	L.Day / m <sup>3</sup>	0.09
	Watering on tank bund for compaction by bowser	m <sup>3</sup> /Day	142
	Compaction in tank bund by sheep foot roller	m <sup>3</sup> /Day	141.5
	<b>GRAVEL WORK</b>		
<b>28</b>	<b>Furnishing, transporting, placing and spreading of gravel on the bund including watering and compaction by manual</b>		
	Gravel cut and lift 5' haul 200'	L.Day / m <sup>3</sup>	1.04
	Placing and compaction in tank bund including picking roots and spreading	L.Day / m <sup>3</sup>	0.213
	Watering on tank bund for compaction	L.Day / m <sup>3</sup>	0.01
	Less haul 50'	L.Day / m <sup>3</sup>	0.196
<b>29</b>	<b>Furnishing, transporting, placing and spreading of gravel on the bund including watering and compaction by machinery</b>		
	Gravel Cutting by Back-hoe	m <sup>3</sup> /Day	245.36
	Spreading by dozer - 100'	m <sup>3</sup> /Day	2,988.5
	Watering on tank bund for compaction by bowser	m <sup>3</sup> /Day	142
	Compaction in tank bund by Sheep Foot Roller	m <sup>3</sup> /Day	1,881.4
<b>30</b>	<b>Furnishing and placing 0.15m thick gravel bedding for placement of Rip rap as directed</b>		
	Spreading by dozer - 100 '	m <sup>3</sup> /Day	2,988.5
	Compaction in tank bund by Dozer	m <sup>3</sup> /Day	664.107

**Irrigation Works Rate 2026**

<b>No</b>	<b>Description</b>	<b>Unit</b>	<b>Qty</b>
	<b>ROAD WAY</b>		
<b>31</b>	<b>Trimming and comparing road way by machinery</b>		
	Data for 1025 sq.m. for a 200mm thick layer		
	Volume of soil in the area	cu.m(VankVol)	205
	Grader blade efficiency	%	85
	Time for 4 passes in 1025 sq.m area	Hours	1.5
	Hire charges 120 - 140 hp motor grader	Hours	1.5
	Cost of banks men s/sk	Hours	1.5
<b>32</b>	<b>Earth Excavation from borrow and forming Road way</b>		
	Borrow Earth Dozing by Dozer	m <sup>3</sup> /Day	633.92
	Loading by Back-hoe	m <sup>3</sup> /Day	289.23
	Spreading by Dozer - 100'	m <sup>3</sup> /Day	2,988.5
	Picking roots Manual	L.Day / m <sup>3</sup>	0.024
	Watering on tank bund for compaction by Bowser	m <sup>3</sup> /Day	142
	Compaction in road way by Vibrating roller	m <sup>3</sup> /Day	2,822.1
<b>33</b>	<b>Furnishing, transporting, placing and spreading of gravel on the road way including watering and compaction</b>		
	Gravel Cutting by Back-hoe	m <sup>3</sup> /Day	245.36
	Spreading by Dozer - 100'	m <sup>3</sup> /Day	1,992.32
	Watering on tank bund for compaction	m <sup>3</sup> /Day	142
	Compaction in road way by Vibrating roller	m <sup>3</sup> /Day	1,881.4
<b>34</b>	<b>Supplying turf sods to site, preparation and dressing of surface, firmly placing and full turfing to new fill and watering and kept moist till grass root up as directed by the Engineer.</b>		
	Cutting and planting turf in slopes	L.Day / m <sup>2</sup>	0.072
	L.days for watering	L.Day / m <sup>2</sup>	0.0011
	Water for turf	1	12.474
	Loading / unloading	L.Day / m <sup>2</sup>	0.0269

## Irrigation Works Rate 2026

<b>6.4 NORMS FOR CONCRETE AND OTHERS</b>			
<b>No</b>	<b>Description</b>	<b>Unit</b>	<b>Quantity</b>
<b>1</b>	<b>Reinforcement</b>		
	Material including 25% for waste & lap of unit rate for 1kg Tor steel reinforcement	kg	1.25
	2% Cost of Tor steel for bindings wire		
	1% Cost of Tor Steel for cover blocks		
	Skilled Labour	L.Day	0.01
	Unskilled Labour	L.Day	0.03
<b>2</b>	<b>Formwork in Timber</b>		
	Plywood	Sq	1.15
	25 % cost of Planks for struts and battens		
	Assorted wire nails	kg	7
	5 % cost of Planks for deboning materials		
	Skilled for making for 6 uses	L.Day	0.5
	Unskilled for making for 6 uses	L.Day	0.5
	Unskilled for fixing and removing	L.Day	1
<b>3</b>	<b>6"-9" Random Rubble Masonry</b>		
	Cement	bags	2
	Rubble	m <sup>3</sup>	1.37
	Sand	m <sup>3</sup>	0.34
	Water	lit	58.83
	Mason	L.Day	0.26
	Labourer	L.Day	1.77
<b>4</b>	<b>6"-9" Random Rubble Pitching - Thickness 9"</b>		
	Cement	bags	0.45
	Rubble	m <sup>3</sup>	0.33
	Sand	m <sup>3</sup>	0.08
	Water	lit	14.24
	Mason	L.Day	0.054
	Labourer	L.Day	0.38
<b>5</b>	<b>300-450mm Removing Rip Rap</b>		
	Labourer Removing existing rip rap	L.Day	0.21
<b>6</b>	<b>300-450mm Removing and Repacking Rip Rap</b>		
	Labourer Removing existing rip rap	L.Day	0.21
	Labourer Repacking rip rap	L.Day	0.21
<b>7</b>	<b>Supplying &amp; Dumping Rip Rap 300 - 450mm</b>		
	Rubble 300 - 450mm	m <sup>3</sup>	1.40
<b>8</b>	<b>Placing &amp; Packing Rip rap (Manual)</b>		
	Labourer for placing & packing rip rap	L.Day	0.23

**Irrigation Works Rate 2026**

No	Description	Unit	Qty
<b>9</b>	<b>Rubble Packing (Manual)</b>		
	Rubble 150mm-225mm	m <sup>3</sup>	1.40
	Back Hoe	M.Hrs	0.028
	Internal Transport	m <sup>3</sup>	1
	Placing & packing	day	0.2

No.	Description	Unit	Machinery			Manual		
			1:3:6	1:2:4	1:1 <sup>1</sup> / <sub>2</sub> :3	1:3:6	1:2:4	1:1 <sup>1</sup> / <sub>2</sub> :3
<b>10.0</b>	Cement	bags	4.54	6.40	8.10	4.54	6.40	8.10
<b>11.0</b>	Metal	m <sup>3</sup>	0.92	0.88	0.82	0.92	0.88	0.82
<b>12.0</b>	Sand	m <sup>3</sup>	0.46	0.44	0.41	0.46	0.44	0.41
<b>13.0</b>	Water	lit	158.90	160.00	182.25	158.90	160.00	182.25
<b>14.0</b>	Skilled Labour	day	0.35	0.35	0.35	0.35	0.35	0.35
<b>15.0</b>	Unskilled Labour	day	1.06	1.06	1.06	2.74	2.74	2.74
<b>16.0</b>	Mixture	hrs	0.71	0.71	0.71			
<b>17.0</b>	Vibrator	hrs	0.35	0.35	0.35			
<b>18.0</b>	Tools & Equipment	L.Cost	0.03	0.03	0.03	0.03	0.03	0.03

## Irrigation Works Rate 2026

6.5. NORMS FOR GATES						
No.	Size of gate		For fixing gate		Loading (by team of 2 unskilled workmen per hour)	Unloading (by team of 2 unskilled workmen per hour)
			Skilled Labour	Unskilled Labour		
1	6" dia	150mm dia	0.4	1.4	8	8
2	9" dia	225mm dia	0.4	1.4	8	8
3	12" dia	300mm dia	0.5	1.5	4	4
4	15" dia	380mm dia	0.5	1.5	4	4
5	18" dia	450mm dia	0.75	2.75	4	4
6	24" dia	600mm dia	1	5	2	2
7	30" dia	750mm dia	1.5	7	2	2
8	36" dia	900mm dia	1.5	7	1	1

6.6 NORMS FOR HUME PIPES FOR L.F.T							
No.	Size of Hume pipe		For Laying & Jointing		Loading (by team of 2 unskilled workmen per hour)	Unloading (by team of 2 unskilled workmen per hour)	Joint materials
			Skilled Labour	Unskilled Labour			
1	4" dia	100mm dia	0.5/60	2/60	36ft	36ft	1½ % cost of pipe
2	6" dia	150mm dia	0.5/60	2/60	36ft	36ft	
3	9" dia	225mm dia	0.5/42	2/42	36ft	36ft	
4	12" dia	300mm dia	0.5/24	2/24	36ft	36ft	
5	15" dia	380mm dia	0.5/24	2/24	36ft	36ft	
6	18" dia	450mm dia	1/30	4/30	16ft	16ft	
7	24" dia	600mm dia	1/24	4/24	16ft	16ft	
8	30" dia	750mm dia	1/18	4/18	8ft	8ft	
9	36" dia	900mm dia	1/18	6/18	8ft	8ft	
10	48" dia	1200mm dia	1/12	6/12	4ft	4ft	

<b>6.7 NORMS FOR MISCELLANEOUS WORKS</b>			
<b>No</b>	<b>Description</b>	<b>Unit</b>	<b>Quantity</b>
<b>1</b>	<b>Supplying and fixing of 12mm Ø 0.45m long Mild steel Dowel</b>		
	Weight of Steel	kg	0.4
	Skilled Labour	L.Day	0.1
	Unskilled Labour	L.Day	0.1
<b>2</b>	<b>Supplying and Fixing of 16mm Ø 0.45m long Mild steel Dowel</b>		
	Weight of Steel	kg	0.71
	Skilled Labour	L.Day	0.125
	Unskilled Labour	L.Day	0.125
<b>3</b>	<b>Furnishing and fixing 50 x 100mm R.C.C. hand rails with 2 Nos. 10mm Ø reinforcement including form work</b>		
	1:2:4 (20 mm) ct. concrete per L/m	m <sup>3</sup>	0.005
	Formwork	m <sup>2</sup>	0.3
	Fixing Skilled Labour	L.Day	0.166
	Fixing Unskilled Labour	L.Day	0.166
	Reinforcement	kg	1.234
<b>4</b>	<b>Guard Stones</b>		
	12 mm Tor steel	kg	3.2
	1:2:4(20mm) ct. con	m <sup>3</sup>	0.026
	Form work	m <sup>2</sup>	0.393
<b>5</b>	<b>Forming of Sand in Pohora Bags.</b>		
	Unskilled Labour	L.Day	0.033
<b>6</b>	<b>Stitching of Sand Bags.</b>		
	Unskilled Labour	L.Day	0.005
<b>7</b>	<b>Laying of Sand Bags.</b>		
	Unskilled Labour	L.Day	0.025
<b>8</b>	<b>Removing of Sand Bags.</b>		
	Unskilled Labour	L.Day	0.025
<b>9</b>	<b>Rate Analysis for fabricating and installation of 1350mm x 750m size steel paneled gate</b>		
	50mm x50mm x6mm L angle	m	7.05
	6mm thick steel plate	m <sup>2</sup>	1.013
	37.5mm Dia spindle bar	m	2.25
	Thread cutting charges	ft	3.445
	37.5mm Dia GI housing, base plate & locking arrangement with full set	No	1
	Brass nut	No	1
	150mm x75mm size channel iron	m	1.65
	Rag bolt 3/4" x 9"	Nos	2
	Operating handle	No	1

## Irrigation Works Rate 2026

No	Description	Unit	Quantity
<b>10</b>	<b>Water Level Measuring Gauge</b>		
	Supplying and fixing 0.15m x 13.72m Stainless steel plat in approved colour printing of water level measuring gauge		
	16 gauge stainless steel plat (including wastage)	m <sup>2</sup>	2.97
	Colour print	m <sup>2</sup>	2.97
	Stainless scrow	Nos	64
	Skill labour	L.day	2
	Painter	L.day	2
	Welder	L.day	2
	Labour	L.day	6
<b>11</b>	<b>Furnishing, &amp; Packing 225 x 150 mm random rubble in to Gabion boxes</b>		
	Rubble	Cube	1.44
	Unskilled Labour	L.Day	4.25
	Skilled	L.Day	0.85
<b>12</b>	<b>Furnishing, &amp; Laying Polyfelt Geosynthetics sheet 1.5mmthk. for gabion boxes</b>		
	Unskilled Labour	L.Day	0.05
<b>13</b>	<b>Furnishing, &amp; Laying Polyfelt Geosynthetics 2.5mmthk. sheet for gabion boxes</b>		
	Unskilled Labour	L.Day	0.05
<b>14</b>	<b>Expansion joints in concrete</b>		
	Bitumen	Lit	22.5
	River sand	Cube	5
	Skill Labour	L.day	0.125
	Unskill Labour	L.day	0.125

<b>6.8 NORMS FOR GABION BOX</b>		
No	Size	Lacing & Placing or 1 No Gabion Box/ L Day
1	1.0 x 0.5 x 0.5	0.167
2	1.0 x 1.0 x 1.0	0.292
3	1.5 x 1.0 x 1.0	0.313
4	2.0 x 1.0 x 1.0	0.333
5	2.0 x 1.0 x 0.5	0.250
6	3.0 x 1.0 x 1.0	0.375
7	3.0 x 1.0 x 0.5	0.292

**6.9 NORMS FOR AGRICULTURE WELLS****Rate adjustment for Agriculture Wells**

Depth in ft	Plastering	Block Work	Rubble Masonry
0 - 05	add 0.25 L.Days	add 0.25 L.Days	add 0.25 L.Days
05 - 10	add 0.5 L.Days	add 0.5 L.Days	add 0.5 L.Days
10 - 15	add 0.75 L.Days	add 0.75 L.Days	add 0.75 L.Days
15 - 20	add 1 L.Days	add 1 L.Days	add 1 L.Days

**Earth Excavation**

Lift in ft	Production of 8 hrs Excavator in m <sup>3</sup>		Shaping by manual (m <sup>3</sup> per day)	Spreading by dozer - 100 ft (m <sup>3</sup> per day)
	Cutting	Lifting		
0 - 5	144.613	289.23	100	2988.48
5 - 10	141.783	283.57		
10 - 15	138.387	276.77		
15 - 20	135.274	270.55		

No	Description	Unit	Quantity
	<b>16mm thick cement and sand 1:3 Plastering</b>		
	Cement	Cube	1.47
	River sand	Cube	0.06
	Skill Labour	L.day	0.75
	Unskill Labour	L.day	1.50
	<b>Cement Concrete block in 1:4:5(20mm) Masonry 1:5 Cement and Sand</b>		
	Block Casting: Cement	Cwt	11.25
	River Sand	Cube	0.60
	¾" Metal	Cube	1.00
	Skill Labour	L.day	4.5
	Unskill Labour	L.day	9.00
	Basket		0.66
	Masonry work: Cement	Cwt	2.5
	River Sand	Cube	0.25
	Skill Labour	L.day	2.50
	Unskill Labour	L.day	4.00
	Basket		0.33

\* Rate to be added for every 5' depth as 5%, 7%, 10%, 13%, 16%.

## Irrigation Works Rate 2026

6.10 RATES FOR IRRIGATION WORKS							
No	Description	Unit	Rate (Rs) without profit and overhead				
			Jaffna	Kilinochchi	Mullaitivu	Vavuniya	Mannar
<b>6.10.1 CLEARING WORKS - MANUAL</b>							
1	Light jungle clearing along the <b>tank bund / Canal / Spill tail canal / road way</b> and reservations including uprooting stumps removing outside and burning to ashes as directed.	Ha	203,500.00	207,200.00	222,000.00	207,200.00	214,600.00
2	Shrub and thorny jungle clearing along the <b>Tank bund / Canal / Spill tail canal / road way</b> and reservations including uprooting stumps removing outside and burning to ashes where ever necessary as directed.	Ha	134,750.00	137,200.00	147,000.00	137,200.00	142,100.00
3	Secondary growth jungle clearing along the <b>tank bund / Canal / Spill tail canal / road way</b> and reservations including uprooting and removing outside and burning to ashes as directed.	Ha	101,750.00	103,600.00	111,000.00	103,600.00	107,300.00
4	Weeding and clearing along the <b>tank bund / Canal / Spill tail canal / road way</b> and reservations as directed.	m <sup>2</sup>	11.00	11.00	12.00	11.00	11.00
5	Stripping top soil along the upstream slope, downstream slope and top of the bund to a thickness of 0.075 meters in order to receive new earth and spoils to be disposed outside the reservation as directed	m <sup>3</sup>	2,159.00	2,198.00	2,355.00	2,198.00	2,276.00
6	Scarifying top soil along the upstream slope, downstream slope and top of the bund / canal bund to a thickness of 0.025 meters in order to receive new earth and spoils to be disposed outside the reservation as directed	m <sup>2</sup>	55.00	56.00	60.00	56.00	58.00

**Irrigation Works Rate 2026**

No	Description	Unit	Rate (Rs) without profit and overhead				
			Jaffna	Kilinochchi	Mullaitivu	Vavuniya	Mannar
<b>6.10.2 CLEARING WORKS - MACHINERY</b>							
7	Light jungle clearing along the <b>tank bund / Canal / Spill tail canal / road way</b> and reservations including uprooting stumps removing outside and burning to ashes as directed.	Ha	47,869.00	47,931.00	48,178.00	47,930.00	48,054.00
8	Shrub and thorny jungle clearing along the <b>Tank bund / Canal / Spill tail canal / road way</b> and reservations including uprooting stumps removing outside and burning to ashes where ever necessary as directed.	Ha	31,913.00	31,954.00	32,119.00	31,953.00	32,036.00
9	Medium jungle clearing along the <b>tank bund / Canal / Spill tail canal / road way</b> and reservations including uprooting stumps removing outside and burning to ashes as directed.	Ha	63,839.00	63,921.00	64,250.00	63,920.00	64,085.00
10	Common jungle clearing along the <b>tank bund / Canal / Spill tail canal / road way</b> and reservations including uprooting stumps removing outside and burning to ashes as directed.	Ha	68,856.00	68,927.00	69,209.00	68,926.00	69,067.00
11	Heavy jungle clearing along the <b>tank bund / Canal / Spill tail canal / road way</b> and reservations including uprooting stumps removing outside and burning to ashes as directed.	Ha	73,034.00	73,150.00	73,408.00	73,108.00	73,258.00
12	Stripping top soil along the upstream slope, downstream slope and top of the bund to a thickness of 0.075 meters in order to receive new earth and spoils to be disposed outside the reservation as directed	m <sup>3</sup>	213.00	210.00	216.00	213.00	213.00

## Irrigation Works Rate 2026

No	Description	Unit	Rate (Rs) without profit and overhead				
			Jaffna	Kilinochchi	Mullaitivu	Vavuniya	Mannar
<b>6.10.3 EARTH WORK - MANUAL</b>							
13	Earth Excavation in foundation and back filling / spoil to waste / dump including watering and compaction	m <sup>3</sup>	2,860.00	2,912.00	3,120.00	2,912.00	3,016.00
14	Borrowing earth from identified borrow areas including transport and placing in tank bund to the design profile in 225 mm layers including watering and compacting	m <sup>3</sup>	2,177.00	2,212.00	2,355.00	2,212.00	2,238.00
15	Earth Excavation from borrow and forming canal bund including watering and compacting	m <sup>3</sup>	2,131.00	2,167.00	2,310.00	2,166.00	2,238.00
16	Earth Cutting in canal and forming canal bund including watering and compacting	m <sup>3</sup>	2,503.00	2,548.00	2,730.00	2,548.00	2,639.00
17	Desilting in canal and spoil to waste as directed	m <sup>3</sup>	1,943.00	1,979.00	2,120.00	1,978.00	2,049.00
<b>6.10.4 EARTH WORK - MACHINERY</b>							
18	Borrowing earth from identified borrow areas including transport, benching & Spreading(by dozer - 100ft), placing in layers average thickness not more than 225mm as earth filling in existing bund embankment and picking roots, watering as directed, compacting by vibrating compactor	m <sup>3</sup>	695.00	682.00	710.00	708.00	707.00
19	Earth Excavation from borrow and forming Canal bund including Compaction by Machinery and shaping by manual	m <sup>3</sup>	551.00	524.00	580.00	551.00	552.00
20	Earth Cutting in canal or canal reservation and forming Canal bund including Compaction by Machinery and shaping by manual	m <sup>3</sup>	383.00	356.00	413.00	383.00	384.00
21	Earth cutting in canal and spoil to waste as directed	m <sup>3</sup>	311.00	297.00	364.00	349.00	349.00

**Irrigation Works Rate 2026**

No	Description	Unit	Rate (Rs) without profit and overhead				
			Jaffna	Kilinochchi	Mullaitivu	Vavuniya	Mannar
22	Earth deduction along spill tail canal and spoil to deposit	m <sup>3</sup>	428.00	414.00	481.00	466.00	466.00
23	Earth deduction along spill tail canal and level / heap	m <sup>3</sup>	117.00	117.00	117.00	117.00	117.00
24	Earth Excavation from borrow and forming canal bund by manual Tpt by tractor (Earth cutting by machinery)	m <sup>3</sup>	924.00	921.00	1,033.00	974.00	996.00
25	Cut open the bund and Spoil to waste by machinery	m <sup>3</sup>	311.00	297.00	364.00	349.00	349.00
26	Cut open the bund by Machinery and filling by manual	m <sup>3</sup>	1,334.00	1,341.00	1,453.00	1,355.00	1,397.00
27	Cut open the bund and refilling including watering and compaction by machinery	m <sup>3</sup>	1,260.00	1,246.00	1,269.00	1,303.00	1,255.00
<b>6.10.5 GRAVEL WORK</b>							
28	Furnishing, transporting, placing and spreading of gravel on the bund including watering and compaction by manual	m <sup>3</sup>	8,686.00	7,169.00	6,714.00	5,547.00	6,791.00
29	Furnishing, transporting, placing and spreading of gravel on the bund including watering and compaction by machinery	m <sup>3</sup>	6,129.00	4,542.00	3,901.00	3,043.00	4,174.00
30	Furnishing and placing 0.15m thick gravel bedding for placement of Rip rap as directed	m <sup>3</sup>	5,248.00	3,852.00	3,342.00	2,493.00	3,554.00
<b>6.10.6 ROAD WAY</b>							
31	Trimming and comparing road way by machinery	m <sup>2</sup>	12.00	12.00	12.00	12.00	12.00
32	Earth Excavation from borrow and forming Road way	m <sup>3</sup>	665.00	652.00	658.00	690.00	685.00
33	Furnishing, transporting, placing and spreading of gravel on the road way including watering and compaction	m <sup>3</sup>	6,114.00	4,527.00	3,896.00	2,949.00	4,132.00

## Irrigation Works Rate 2026

No	Description	Unit	Rate (Rs) without profit and overhead				
			Jaffna	Kilinochchi	Mullaitivu	Vavuniya	Mannar
34	Supplying turf sods to site, preparation and dressing of surface, firmly placing and full turfing to new fill and watering and kept moist till grass root up as directed by the Engineer.	m <sup>2</sup>	297.00	302.00	322.00	302.00	311.00
<b>6.10.7 CONCRETE - MANUAL</b>							
35	1:3:6(40) Ct. sand concrete compacting with porker vibrator including curing without form work	m <sup>3</sup>	26,226.00	25,365.00	22,909.00	22,181.00	23,846.00
36	1:3:6(40) Ct. sand concrete compacting with porker vibrator including curing with form work	m <sup>3</sup>	28,525.00	27,700.00	25,303.00	24,517.00	25,844.00
37	1:2:4(20) Ct. sand concrete compacting with porker vibrator including curing without form work	m <sup>3</sup>	29,509.00	28,870.00	26,518.00	25,660.00	27,397.00
38	1:2:4(20) Ct. sand concrete compacting with porker vibrator including curing with form work	m <sup>3</sup>	32,579.00	31,988.00	29,717.00	28,778.00	30,064.00
39	1:1 1/2:3(20) Ct. sand concrete compacting with porker vibrator including curing without form work	m <sup>3</sup>	31,836.00	31,275.00	29,095.00	28,275.00	29,888.00
40	1:1 1/2:3(20) Ct. sand concrete compacting with porker vibrator including curing with form work	m <sup>3</sup>	33,727.00	33,196.00	31,063.00	30,196.00	31,531.00
<b>6.10.8 CONCRETE - MACHINERY (MIXTURE)</b>							
41	1:3:6(40) Ct. sand concrete using concrete mixer and compacting with porker vibrator including curing without form work	m <sup>3</sup>	22,177.00	21,477.00	18,538.00	18,333.00	19,448.00
42	1:3:6(40) Ct. sand concrete using concrete mixer and compacting with porker vibrator including curing with form work	m <sup>3</sup>	24,476.00	23,812.00	20,932.00	20,669.00	21,446.00
43	1:2:4(20) Ct. sand concrete using concrete mixer and compacting with porker vibrator including curing without form work	m <sup>3</sup>	25,459.00	24,979.00	22,146.00	21,809.00	22,998.00

**Irrigation Works Rate 2026**

No	Description	Unit	Rate (Rs) without profit and overhead				
			Jaffna	Kilinochchi	Mullaitivu	Vavuniya	Mannar
44	1:2:4(20) Ct. sand concrete using concrete mixer and compacting with porker vibrator including curing with form work	m <sup>3</sup>	28,529.00	28,097.00	25,342.00	24,927.00	25,666.00
45	1:1 1/2:3(20) Ct. sand concrete using concrete mixer and compacting with porker vibrator including curing without form work	m <sup>3</sup>	27,787.00	27,385.00	24,722.00	24,424.00	25,490.00
46	1:1 1/2:3(20) Ct. sand concrete using concrete mixer and compacting with porker vibrator including curing with form work	m <sup>3</sup>	29,701.00	29,329.00	26,715.00	26,369.00	27,153.00
<b>6.10.9 RUBBLE WORK</b>							
47	Supplying and placing 9" random rubble masonry work using 150-225mm thickness rubble with 1:5 ct.sand motor	m <sup>3</sup>	19,524.00	18,419.00	15,974.00	14,768.00	16,457.00
48	Supplying and placing 9" random rubble Pitching work using 150-225mm thickness rubble with 1:5 ct.sand motor	m <sup>2</sup>	4,467.00	4,199.00	3,602.00	3,325.00	3,726.00
49	Supplying and heaping 300 - 450 mm rubble for rip rap	m <sup>3</sup>	7,944.00	6,810.00	5,622.00	4,408.00	5,127.00
50	Placing Rip-Rap from the dumped rubble an average thickness of 300/450 mm on upstream slope of bund as directed by the Engineer.(Rate includes the necessary internal transport and loading)	m <sup>3</sup>	633.00	644.00	690.00	644.00	667.00
51	Removing existing collapsed rip -rap and heaping the rubble as directed by the Engineer.	m <sup>3</sup>	578.00	588.00	630.00	588.00	609.00
52	Removing and re packing rip rap as directed by the Engineer.	m <sup>3</sup>	1,155.00	1,176.00	1,260.00	1,176.00	1,218.00
53	Supplying and placing 150-225mm rubble packing	m <sup>3</sup>	8,803.00	7,665.00	6,545.00	5,277.00	6,016.00

## Irrigation Works Rate 2026

No	Description	Unit	Rate (Rs) without profit and overhead				
			Jaffna	Kilinochchi	Mullaitivu	Vavuniya	Mannar
<b>6.10.10 REINFORCEMENT</b>							
54	Supplying bending and placing QT Rib bar as reinforcement	kg	428.00	431.00	438.00	431.00	434.00
<b>6.10.11 FORMWORK</b>							
55	Furnishing and making of form work made out 20mm thick plywood with necessary frame and supports including fixing and removing as directed	m <sup>2</sup>	1,167.00	1,186.00	1,215.00	1,185.00	1,014.00
<b>6.10.12 HUME PIPES</b>							
56	Supplying , laying and jointing 100 mm dia Hume pipe in position	L.m	4,151.00	4,276.00	4,204.00	3,607.00	4,322.00
57	Supplying , laying and jointing 150 mm dia hume pipe in position	L.m	4,733.00	4,859.00	4,787.00	4,190.00	4,905.00
58	Supplying , laying and jointing 225 mm dia hume pipe in position	L.m	5,836.00	5,966.00	5,905.00	5,298.00	6,017.00
59	Supplying , laying and jointing 300 mm dia hume pipe in position	L.m	7,189.00	7,330.00	7,295.00	6,662.00	7,393.00
60	Supplying , laying and jointing 375 mm dia hume pipe in position	L.m	7,688.00	7,830.00	7,795.00	7,162.00	7,893.00
61	Supplying , laying and jointing 450 mm dia hume pipe in position	L.m	10,334.00	10,668.00	10,518.00	8,967.00	10,802.00
62	Supplying , laying and jointing 600 mm dia hume pipe in position	L.m	14,260.00	14,605.00	14,480.00	12,905.00	14,750.00
63	Supplying , laying and jointing 900 mm dia hume pipe in position	L.m	23,361.00	23,985.00	23,770.00	20,868.00	24,262.00
64	Supplying , laying and jointing 1200 mm dia hume pipe in position	L.m	45,551.00	46,754.00	46,204.00	40,520.00	47,254.00

**Irrigation Works Rate 2026**

No	Description	Unit	Rate (Rs) without profit and overhead				
			Jaffna	Kilinochchi	Mullaitivu	Vavuniya	Mannar
<b>6.10.13 GATES</b>							
65	Supplying and fixing 150mm Dia C.I Gate with complete set including spindle 25mm diameter, 2m long ,base plate, Brass nut, Rag Bolts,ect in position	Nr	60,302.00	60,455.00	60,904.00	60,505.00	60,745.00
66	Supplying and fixing 225mm Dia C.I Gate with complete set including spindle 25mm diameter, 2m long, base plate, Brass nut, Rag Bolts,ect in position	Nr	70,302.00	76,955.00	80,904.00	80,505.00	80,745.00
67	Supplying and fixing 300mm Dia C.I Gate with complete set including spindle 25mm diameter, 2m long, base plate, Brass nut, Rag Bolts,ect in position	Nr	78,569.00	78,750.00	79,358.00	78,851.00	79,200.00
68	Supplying and fixing 375mm Dia C.I Gate with complete set including spindle 37mm diameter, 2m long, base plate, Brass nut, Rag Bolts,ect in position	Nr	111,069.00	111,250.00	111,858.00	111,351.00	111,700.00
69	Supplying and fixing 450mm Dia C.I Gate with complete set including spindle 37mm diameter, 2m long, base plate, Brass nut, Rag Bolts,ect in position	Nr	135,306.00	135,600.00	136,483.00	135,701.00	136,175.00
70	Supplying and fixing 600mm Dia C.I Gate with complete set including spindle 50mm diameter, 2m long, base plate, Brass nut, Rag Bolts, ect in position	Nr	199,638.00	200,100.00	201,696.00	200,294.00	201,174.00
71	Supplying and fixing 750mm Dia C.I Gate with complete set including spindle 50mm diameter, 2m long, base plate, Brass nut, Rag Bolts, ect in position	Nr	254,738.00	265,400.00	257,446.00	255,594.00	256,674.00
72	Supplying and fixing 900mm Dia C.I Gate with complete set including spindle 50mm diameter, 2m long, base plate, Brass nut, Rag Bolts, ect in position	Nr	385,875.00	386,700.00	388,813.00	376,967.00	388,205.00

## Irrigation Works Rate 2026

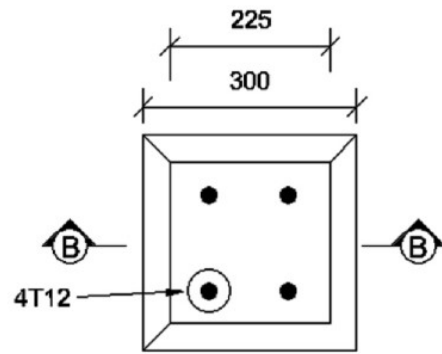
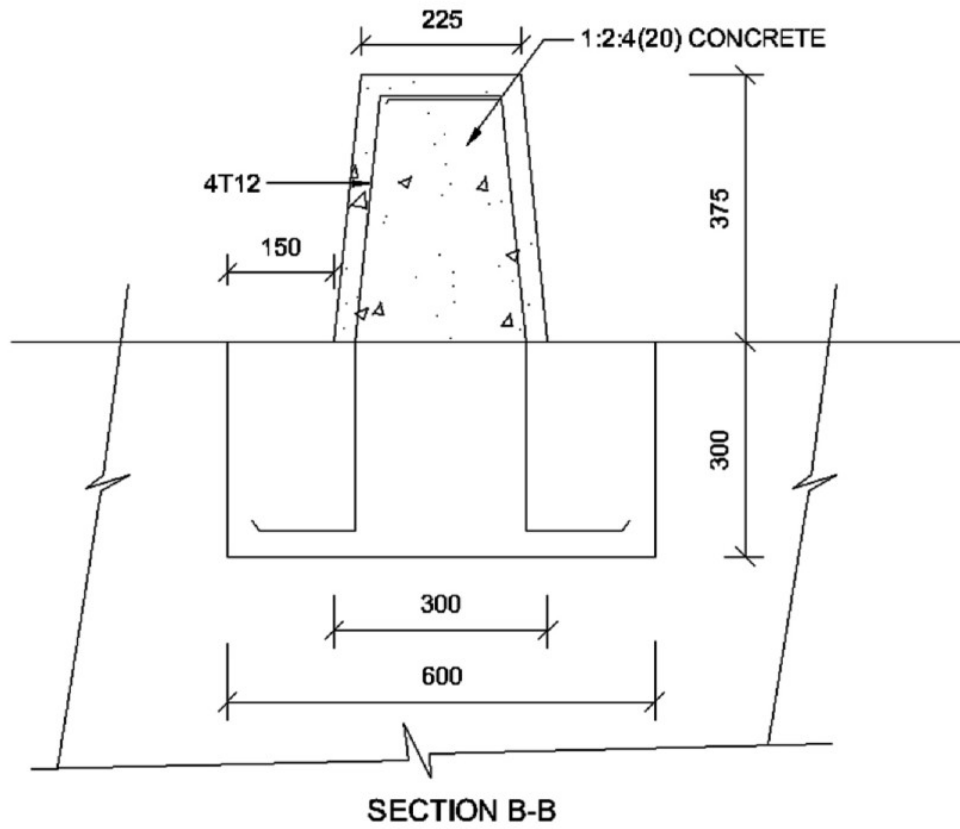
No	Description	Unit	Rate (Rs) without profit and overhead				
			Jaffna	Kilinochchi	Mullaitivu	Vavuniya	Mannar
73	Supplying fabricating and installation of 1350mm x 750m size steel paneled gate	Nr	97,270.00	105,606.00	108,043.00	105,766.00	122,819.00
<b>6.10.14 MISCELLINIOUS</b>							
74	Supplying and fixing of 12mm dia. 0.45 m long mild steel dowels	Nr	694.00	719.00	749.00	718.00	728.00
75	Supplying and fixing of 16mm dia. 0.45 m long mild steel dowels	Nr	919.00	950.00	988.00	950.00	962.00
76	Chemical Anchoring without Reinforcement	Nr	473.00	409.00	493.00	486.00	490.00
77	Furnishing and fixing 50*100mm R.C.C. hand rails with 2 Nos. 10mm dia. Reinforcement including formwork	m	2,018.00	2,066.00	2,121.00	2,049.00	2,027.00
78	Providing guard stones as per type NP/IRR/GS/Type No 01	Nr	5,720.00	5,641.00	5,338.00	5,211.00	5,376.00
79	Providing of 50 x 100 weep holes as per type NP/IRR/WH/Type No 01	Nr	3,944.00	3,324.00	1,475.00	1,579.00	2,984.00
80	Water Pumps 50 mm (2")	Hr.	563.00	563.00	563.00	562.00	562.00
81	Water Pumps 75 mm (3")	Hr.	625.00	625.00	625.00	625.00	625.00
82	Supplying of empty C.I.C. pohora bags ( 50kg size of fertilizer)	Nr	47.00	47.00	47.00	47.00	47.00
83	Forming of sand in pohora bags.	Nr	92.00	93.00	100.00	93.00	96.00
84	Stitching of sand bags.	Nr	14.00	14.00	15.00	14.00	14.00
85	Laying of sand bags.	Nr	69.00	70.00	75.00	70.00	72.00
86	Removing of sand bags.	Nr	69.00	70.00	75.00	70.00	72.00
87	Water level measuring gauge	m <sup>2</sup>	63,482.00	58,264.00	54,940.00	54,502.00	54,721.00
88	Expansion joints in concrete floors filling with bitumen and sand (to full depth of concrete and rendering) ( 1/2" thick and 40" deep)	L.m	3,205.00	3,319.00	3,359.00	3,203.00	3,306.00

**Irrigation Works Rate 2026**

No	Description	Unit	Rate (Rs) without profit and overhead				
			Jaffna	Kilinochchi	Mullaitivu	Vavuniya	Mannar
<b>6.10.15 GABIONS</b>							
89	Furnishing, Lacing & Placing of PVC Coated 1 x 0.5 x 0.5 m Gabions boxes	Nr	4,683.00	4,692.00	4,725.00	4,691.00	4,433.00
90	Furnishing, Lacing & Placing of PVC Coated 1.0 x 1.0 x 1.0 m Gabions boxes	Nr	10,552.00	10,567.00	10,625.00	10,566.00	10,595.00
91	Furnishing, Lacing & Placing of PVC Coated 1.5 x 1.0 x 1.0 m Gabions boxes	Nr	13,209.00	13,225.00	13,288.00	13,225.00	13,256.00
92	Furnishing, Lacing & Placing of PVC Coated 2.0 x 1.0 x 1.0 m Gabions boxes	Nr	17,557.00	17,573.00	17,640.00	17,573.00	17,606.00
93	Furnishing, Lacing & Placing of PVC Coated 2.0 x 1.0 x 0.5 m Gabions boxes	Nr	12,517.00	12,530.00	12,580.00	12,530.00	12,554.00
94	Furnishing, Lacing & Placing of PVC Coated 3.0 x 1.0 x 1.0 m Gabions boxes	Nr	24,301.00	24,320.00	24,395.00	24,320.00	24,357.00
95	Furnishing, Lacing & Placing of PVC Coated 3.0 x 1.0 x 0.5 m Gabions boxes	Nr	19,262.00	19,277.00	19,335.00	19,276.00	19,305.00
96	Furnishing, & Laying Polyfelt Geosynthetics 1.5mmthk. sheet for gabion boxes	m <sup>2</sup>	500.00	690.00	575.00	470.00	475.00
97	Furnishing, & Laying Polyfelt Geosynthetics 2.5mmthk. sheet for gabion boxes	m <sup>2</sup>	800.00	822.00	812.00	690.00	695.00
98	Furnishing, & Packing 225 x 150 mm random rubble in to Gabion boxes	m <sup>3</sup>	12,723.00	11,332.00	11,154.00	9,042.00	10,464.00
<b>6.10.16 AGRICULTURE WELLS</b>							
99	Earth Excavation in foundation 0-5 ft. lift up to 5ft. Spread with in 100ft. by Machinery and shaping by manual	m <sup>3</sup>	594.00	553.00	638.00	594.00	595.00

## Irrigation Works Rate 2026

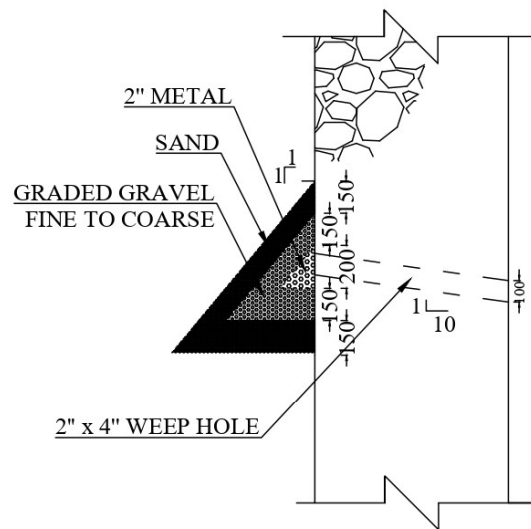
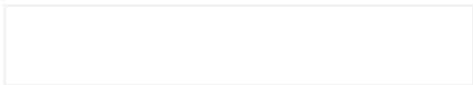
No	Description	Unit	Rate (Rs) without profit and overhead				
			Jaffna	Kilinochchi	Mullaitivu	Vavuniya	Mannar
100	Earth Excavation in foundation 5-10 ft. lift up to 10ft. Spread with in 100ft. by Machinery and shaping by manual	m <sup>3</sup>	601.00	559.00	645.00	601.00	602.00
101	Earth Excavation in foundation 10-15 ft. lift up to 15ft. Spread with in 100ft. by Machinery and shaping by manual	m <sup>3</sup>	620.00	577.00	666.00	620.00	621.00
102	Earth Excavation in foundation 15-20 ft. lift up to 20ft. Spread with in 100ft. by Machinery and shaping by manual	m <sup>3</sup>	633.00	589.00	680.00	633.00	634.00
103	Soft Rock Excavation in foundation 0-5 ft. lift up to 20ft. Spread with in 100ft. by Machinery and shaping	m <sup>3</sup>	984.00	913.00	1,058.00	984.00	985.00
104	16mm thick cement and sand 1:3 plastering	m <sup>2</sup>	745.00	745.00	745.00	1,041.00	1,109.00
105	100mm Cement concrete block in 1:4:5[20mm] masonry in 1:5 cement and sand.	m <sup>2</sup>	4,330.00	4,266.00	3,961.00	3,795.00	4,171.00
106	125mm Cement concrete block in 1:4:5[20mm] masonry in 1:5 cement and sand.	m <sup>2</sup>	5,413.00	5,333.00	4,951.00	4,744.00	5,213.00



Scale 1 : 10

**DETAIL OF GUARD STONE TYPE -1**

Dwg.No :- NP/IRR/GS/Type No. -01



SCALE 1:10

**DETAIL OF WEEP HOLE**  
**TYPE- 1**

Dwg.No:- NP/IRR/WH/Type No-01